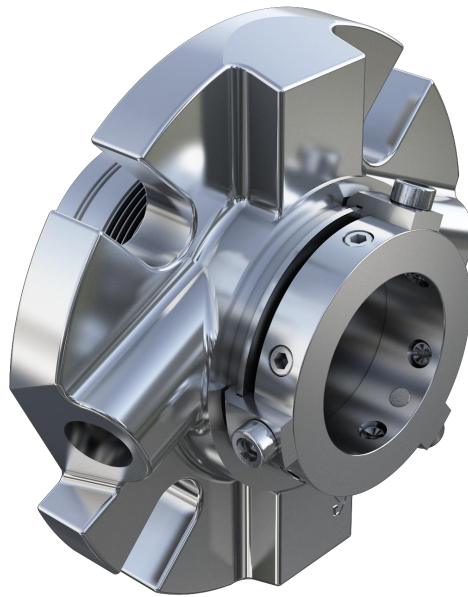




AK800 SERIES IMPROVED

Cartridge Bellows Seal



- Cartridge Bellows Design
- Monolithic Seal Faces
- Combination Transmissions
- Modular Design

Shanghai Newworld Fluid Machinery Co.,Ltd

Web: www.newworld-cn.com
Email: sales@newworld-cn.com
Tel.: +86 21 60255286

Factory Add.: No.11 Xinghuo Road, Qianzhou Supporting Area,
Huishan District, Wuxi City, Jiangsu Province, China

International sales office:
Tel: +86 21 60255286
Add :Room 501 No 1198 Defu Road Jiading District Shanghai China

AK800 SERIES IMPROVED

All quality mechanical seals should fit properly and be "leak-free" in operation. Fluid containment is achieved by precision lapping rotary & stationary faces and keeping the faces in contact. To guarantee these basic requirements all our mechanical seals are hydrostatically pressure tested to ensure they fit the shaft and are leak free, before leaving the factory.

Design Model Description

- ▼Independent of direction of rotation
- ▼Better and even heat transferring property
- ▼Cartridge Structure
- ▼To ANSI B73.1

Operating Limits

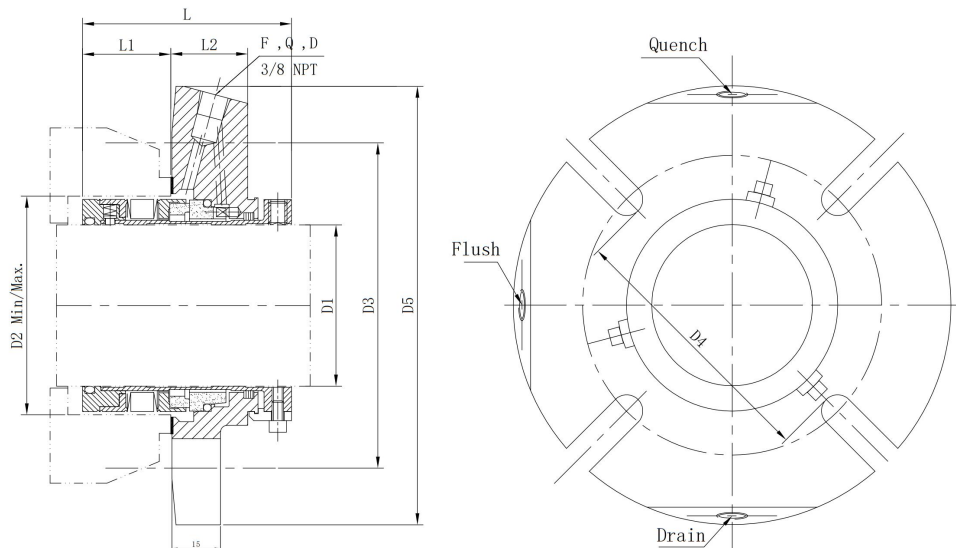
- ▼Temperature: -75°C to 320°C
- ▼Pressure: Up to 4.0Mpa
- ▼Speed: Up to 25m/s(5000rpm)

Application

Applicable for Rotating Shaft Equipments, i.e.: Centrifugal Pump

Applied Fluids: Clean Fluid, Fluid in Low or Medium Viscosity, and Fluid Contains Solid Particles, such as Oil, Clod or Hot Water, Chemical Materials, Edible and Drink.

Type AK800 Cartridge Bellows Seal



Material Selection Table

Description	Material	AK800
Faces	High Grade Carbon	○
	Resin Carbon	○
	Antimony Carbon	●
	Silicon Carbide	○
	Tungsten Carbide	○
Bellows	CrNiMo-Steel	○
	Hasterlloy-C276	●
	Inconel 718	○
Secondary Seal	Fluorocarbon Rubber	●
	Ethylene Propylene Rubber	○
	Butyl Rubber	○
	Filled PTFE	○
Other	CrNiMo-Steel	●
	Hasterlloy-C276	○

1. ● Preferred Material

2. ○ Optional Material

3. Please contact us for special design inquiries.

AK800 SERIES IMPROVED

Installation Dimensions for AK800

(mm)

D1 mm	D1 inch	D2 Min	D2 Max	D3	D4 Min	L	L1	L2	M
24	-	42	49	102	72	70	28.5	25	14
25	-	43.5	49	102	72	70	28.5	25	14
-	1.000	44.5	49	102	72	70	28.5	25	14
28	-	46	52	105	75	71.5	30	25	14
-	1.125	47.5	52	105	75	71.5	30	25	14
30	-	48.5	57	108	80	71.5	30	25	14
32	1.250	51	59	112	82	71.5	30	25	14
33	-	51	59	112	82	71.5	30	25	14
35	1.375	54	62	112	85	71.5	30	25	14
38	1.500	57	66	124	90	71.5	30	25	14
40	-	60.5	70	127	94	73.5	30.5	26.5	14
42	1.625	60.5	70	127	94	73.5	30.5	26.5	14
43	-	63.5	74	135	98	73.5	30.5	26.5	14
45	1.750	63.5	74	135	98	73.5	30.5	26.5	14
48	1.875	67	76	138	100	74.5	31.5	26.5	14
50	2.000	70	78	142	102	74.5	31.5	26.5	14
53	2.125	74	84.5	150	112	77.5	32	29	17.5
55	-	74	84.5	150	112	77.5	32	29	17.5
58	2.250	77	88.5	165	116	77.5	32	29	17.5
60X	2.375X	80	92.5	165	120	77.5	32	29	17.5
60	2.375	83	95.5	168	123	86.5	36	32	17.5
63	2.500	86	99.5	172	127	86.5	36	32	17.5
65	-	86	99.5	172	127	86.5	36	32	17.5
68	2.625	90	104.5	175	132	86.5	36	32	17.5
70X	2.750X	92.5	104.5	175	132	86.5	36	32	17.5
70	2.750	95	105.5	185	132	91	38.5	33.5	17.5
-	2.875	98	108.5	188	135	91	38.5	33.5	17.5
75	3.000	102	115	192	145	91	38.5	33.5	20
80	3.125	105	115	192	145	91	38.5	33.5	20
-	3.250	107	118	196	148	91	38.5	33.5	20
85	3.375	112	125	205	155	91	38.5	33.5	20
-	3.500	115	128	208	158	92.5	38.5	35	20
90	3.625	118	132	215	162	92.5	38.5	35	20
95	3.750	121	142	218	172	92.5	38.5	35	20
-	3.875	124	146	225	176	92.5	38.5	35	20
100	4.000	127	146	225	176	92.5	38.5	35	20