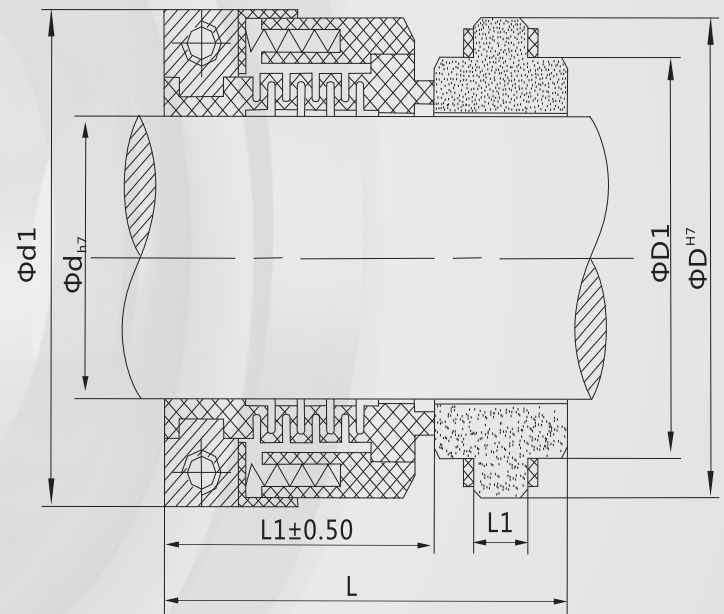


轻型/内装/单端面/平衡型/任意旋向



简介

YMWB2系列为聚四氟乙烯波纹管式机封，采用多弹簧结构，其中WB2型的弹簧受四氟罩的保护。该类型机封是耐腐蚀泵中应用最广泛的一种。

适用范围

压力: 0~0.8MPa
 温度: -20℃~100℃
 线速度: ≤12m/sec
 介质: 各种酸类等腐蚀性液体

Introduction

YMWB2 series is polytetrafluoroethylene bellows type mechanical seal, adopts multi-spring structure, in which WB2 spring is protected by the tetrafluoroethylene cover. This type of seal is one of the most widely used anticorrosion pumps.

Available Range

Pressure: 0~0.8MPa
 Temperature: -20℃~100℃
 Speed: ≤12m/sec
 Medium: Corrosive Liquid as Various Kinds of Acid, Etc.

型号规格	d	d1	D	D1	L	L1
YMWB2-30	30	67	65	54	78.5	51.5
YMWB2-35	35	73	70	58	78.5	51.5
YMWB2-40	40	78	76	63	78.5	51.5
YMWB2-45	45	86	80	70	78.5	51.5
YMWB2-50	50	91	85	73	78.5	51.5
YMWB2-55	55	96	90	79	78.5	51.5
YMWB2-60	60	101	95	86	78.5	51.5

备注: 机封材质根据使用压力和温度进行配置, 静环根据客户要求提供多种选择, 其它非常规格建议咨询客服。

CÔNG TY CỔ PHẦN CÔNG NGHỆ VÀ THIẾT BỊ CÔNG NGHIỆP BÁCH KHOA

Địa chỉ: Xã Việt Hùng, Huyện Đông Anh, Thành phố Hà Nội, Việt Nam

☎ 0973.943.695

✉ bachkhoa.jc@gmail.com

🌐 www.efc.com.vn